

NEW & IMPROVED RANGE



GEOLOK[®]

EARTH RETAINING SYSTEM

GEOLOK[®] 300 | GEOLOK[®] 400 | GEOLOK[®] 500
CONCRETE RETAINING BLOCKS



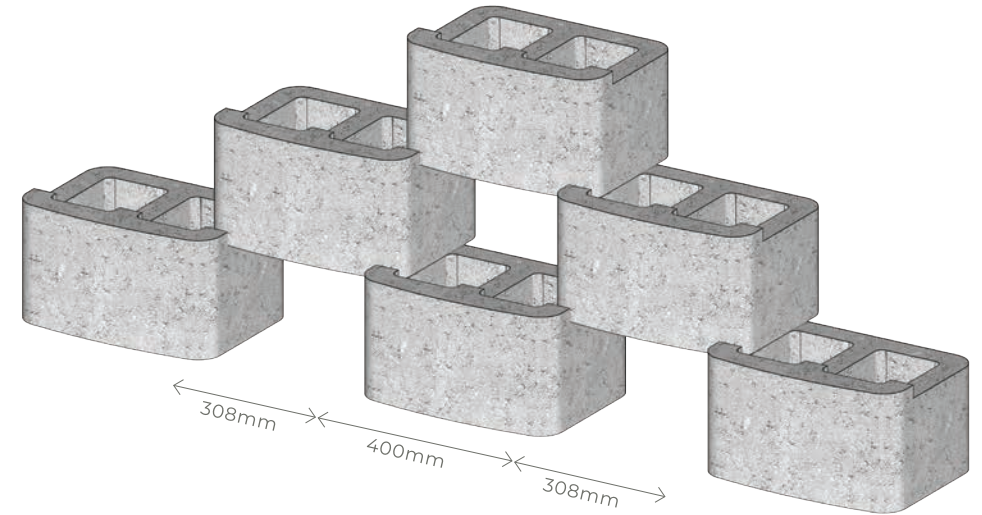
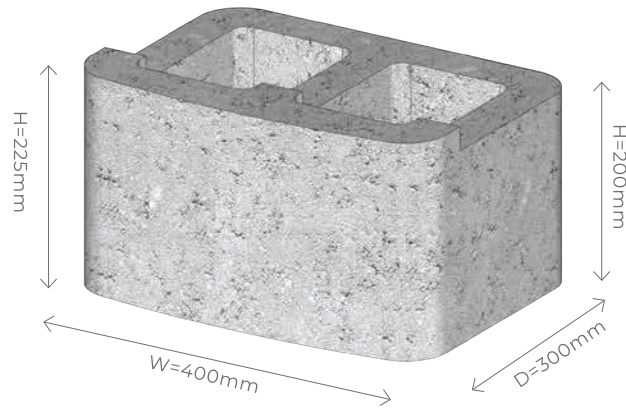
Users of concrete retaining block products should note that all concrete retaining block walls above 1m in height should be designed by a competent person i.e. professional engineer or geotechnical engineer. Concrete retaining walls must comply with local building regulations. The following information is intended as a guide only.

GEOLOK® 300

GENERALLY SUITED FOR WALLS UP TO 2m HIGH

DIAGRAMMATIC REPRESENTATION OF GEOLOK® 300's

- REFER TO DESIGN TABLE ON PAGE 4



TECHNICAL SPECIFICATION

BLOCKS PER m ² (WHEN PLACED IN A STRAIGHT LINE)	APPROXIMATELY 7
MASS PER BLOCK	± 37kg
TOTAL MASS OF WALL PER m ² (INCL. SAND INFILL)	± 470kg
WIDTH X DEPTH X HEIGHT (mm)	400 X 300 X 200mm

Maximum Geolok 300 block retaining wall heights vs wall slopes for factor of safety (FOS) = 1.5

Loose to medium dense sand : = 30 degrees internal angle of friction

Note: No allowance has been made for surcharging of the wall from any structure built behind the wall.

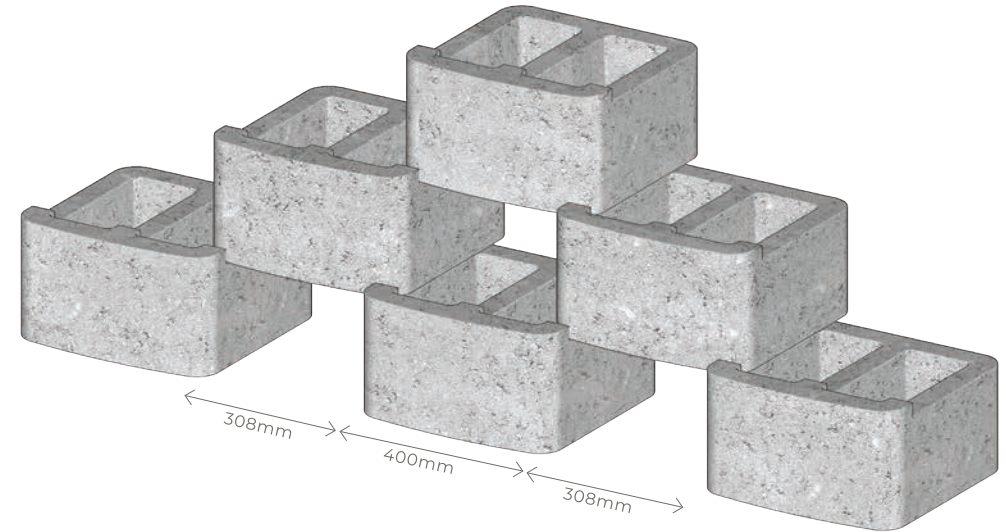
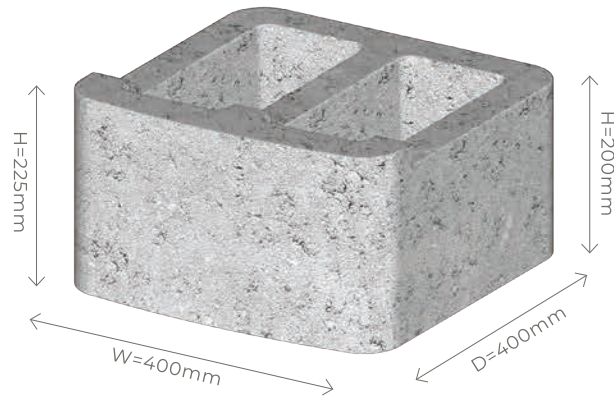
WALL SLOPE (DEGREES)	HORIZONTAL BACKFILL		SLOPE BEHIND 1 IN 4		SLOPE BEHIND 1 IN 2	
	G300 BLOCKS		G300 BLOCKS		G300 BLOCKS	
	MAX WALL HEIGHT	FOUND DEPTH	MAX WALL HEIGHT	FOUND DEPTH	MAX WALL HEIGHT	FOUND DEPTH
	(m)	(m)	(m)	(m)	(m)	(m)
70.0	1.53	0.40	1.35	0.40	1.05	0.40
67.5	1.70	0.40	1.49	0.40	1.15	0.40
65.0	1.90	0.40	1.67	0.40	1.26	0.40
62.5	2.15	0.40	1.88	0.40	1.40	0.40

GEOLOK® 400

GENERALLY SUITED FOR WALLS IN EXCESS OF 2M HIGH

- REFER TO DESIGN TABLE ON PAGE 6

DIAGRAMMATIC REPRESENTATION OF GEOLOK® 400's



TECHNICAL SPECIFICATION

BLOCKS PER m ² (WHEN PLACED IN A STRAIGHT LINE)	APPROXIMATELY 7
MASS PER BLOCK	± 47kg
TOTAL MASS OF WALL PER m ² (INCL. SAND INFILL)	± 700kg
WIDTH X DEPTH X HEIGHT (mm)	400 X 400 X 200mm

Maximum Geolok 400 block retaining wall heights vs wall slopes for factor of safety (FOS) = 1.5

Loose to medium dense sand : = 30 degrees internal angle of friction

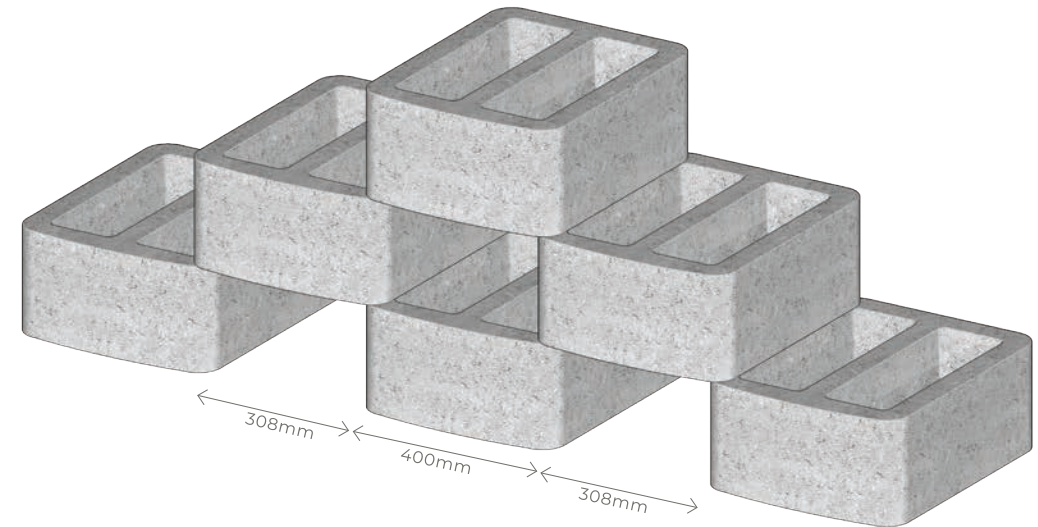
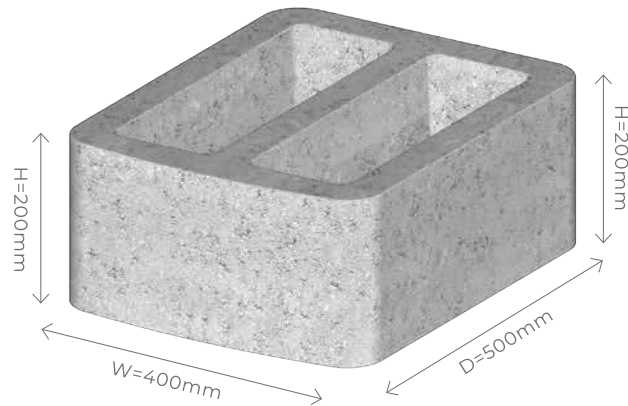
Note: No allowance has been made for surcharging of the wall from any structure built behind the wall.

WALL SLOPE (DEGREES)	HORIZONTAL BACKFILL		SLOPE BEHIND 1 IN 4		SLOPE BEHIND 1 IN 2	
	G400 BLOCKS		G400 BLOCKS		G400 BLOCKS	
	MAX WALL HEIGHT	FOUND DEPTH	MAX WALL HEIGHT	FOUND DEPTH	MAX WALL HEIGHT	FOUND DEPTH
	(m)	(m)	(m)	(m)	(m)	(m)
70.0	2.47	0.40	2.17	0.40	1.67	0.40
67.5	2.77	0.50	2.42	0.50	1.84	0.50
65.0	3.13	0.50	2.73	0.50	2.04	0.50
62.5	3.58	0.60	3.11	0.60	2.30	0.60

GEOLOK[®] 500

GENERALLY SUITED FOR WALLS $\geq 70^\circ$

DIAGRAMMATIC REPRESENTATION OF GEOLOK[®] 500's



TECHNICAL SPECIFICATION

BLOCKS PER m ² (WHEN PLACED IN A STRAIGHT LINE)	APPROXIMATELY 7
MASS PER BLOCK	± 54kg
TOTAL MASS OF WALL PER m ² (INCL. SAND INFILL)	± 900kg
WIDTH X DEPTH X HEIGHT (mm)	400 X 500 X 200mm

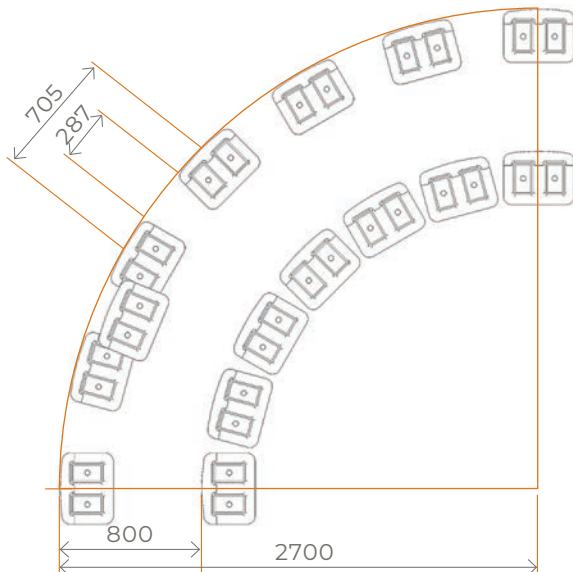
GEOLOK[®] 500's is for specialised applications where the required slope of the wall could be $>70^\circ$. Such walls should be designed by specialist professional engineers, therefore, a design table is not included pertaining to typical retaining wall heights versus wall slopes.

WALL RADII vs HEIGHT REQUIRING A RESET OF INTER BLOCK SPACES

APPROXIMATE HEIGHTS AT WHICH IT WILL BECOME NECESSARY TO RESET SPACINGS BETWEEN THE BLOCKS IN THE BEND OWING TO THE PROGRESSIVE REDUCTION OF THE INTER BLOCK SPACE

WALL RADIUS m	GEOLOK® 300 HEIGHT BEFORE NEED TO RESET WALL BLOCK SPACING 65° SLOPE	GEOLOK® 300 HEIGHT BEFORE NEED TO RESET WALL BLOCK SPACING 70° SLOPE	GEOLOK® 400 HEIGHT BEFORE NEED TO RESET WALL BLOCK SPACING 65° SLOPE	GEOLOK® 400 HEIGHT BEFORE NEED TO RESET WALL BLOCK SPACING 70° SLOPE
1.35m	0.6m 3 ROWS	0.8m 4 ROWS		
1.80m	1.0m 5 ROWS	1.2m 6 ROWS		
2.30m	1.4m 7 ROWS	1.6m 8 ROWS	1.0m 5 ROWS	1.4m 7 ROWS
2.70m	1.6m 8 ROWS	2.0m 10 ROWS	1.4m 7 ROWS	1.8m 9 ROWS
3.25m			1.8m 9 ROWS	2.2m 11 ROWS
4.00m			2.4m 12 ROWS	3.0m 15 ROWS
5.00m			3.0m 15 ROWS	4.0m 20 ROWS

GEOLOK® 300 ON A 2.70m RADIUS



At 65° wall slope will need to reset the spacings of the blocks after approximately 8 rows (+/- 1.6 metres height)

At 70° wall slope will need to reset the spacings of the blocks after approximately 10 rows (+/- 2.0 metres height)

HORIZONTAL SETBACK FOR VARIOUS WALL SLOPES

GEOLOK RETAINING WALL HEIGHT IN ROWS	HEIGHT IN METRES	WALL SLOPE 65° HORIZONTAL SETBACK	WALL SLOPE 70° HORIZONTAL SETBACK	WALL SLOPE 75° HORIZONTAL SETBACK	WALL SLOPE 80° HORIZONTAL SETBACK
No. ROWS	m	m	m	m	m
1	0.2	0.093	0.073	0.054	0.035
2	0.4	0.187	0.146	0.108	0.070
3	0.6	0.280	0.218	0.162	0.105
4	0.8	0.373	0.291	0.216	0.140
5	1.0	0.466	0.364	0.270	0.175
6	1.2	0.560	0.437	0.324	0.210
7	1.4	0.653	0.510	0.378	0.245
8	1.6	0.746	0.582	0.432	0.280
9	1.8	0.839	0.655	0.486	0.315
10	2.0	0.933	0.728	0.540	0.350
11	2.2	1.026	0.801	0.594	0.385
12	2.4	1.119	0.874	0.648	0.420
13	2.6	1.212	0.946	0.702	0.455
14	2.8	1.306	1.019	0.756	0.490
15	3.0	1.399	1.092	0.810	0.525
16	3.2	1.492	1.165	0.864	0.560
17	3.4	1.585	1.237	0.918	0.595
18	3.6	1.679	1.310	0.972	0.630
19	3.8	1.772	1.383	1.026	0.665
20	4.0	1.865	1.456	1.080	0.700
21	4.2	1.958	1.529	1.134	0.735
22	4.4	2.052	1.601	1.188	0.770
23	4.6	2.145	1.674	1.242	0.805
24	4.8	2.238	1.747	1.296	0.840
25	5.0	2.332	1.820	1.350	0.875
26	5.2	2.425	1.893	1.404	0.910
27	5.4	2.518	1.965	1.458	0.945
28	5.6	2.611	2.038	1.512	0.980
29	5.8	2.705	2.111	1.566	1.015
30	6.0	2.798	2.184	1.620	1.050

NOTE: GEOLOK® 300 AND GEOLOK® 400 LIMITED TO A MAXIMUM ANGLE OF INCLINATION OF 70°



GET YOUR

GEOLOK®

CONCRETE RETAINING BLOCKS

FREE SOFTWARE DESIGN PROGRAM AVAILABLE AT WWW.COROBRIK.CO.ZA

www.corobrik.co.za | info@corobrik.co.za

TRADE

Chris Mungle | chris.mungle@corobrik.co.za | 031 560 3111 | Durban
Rob Jardine | rob.jardine@corobrik.co.za | 033 397 0949 | Pietermaritzburg

RETAIL - COROBRIK SALES CENTRES

OPEN TO THE PUBLIC

Avoca | avoca@corobrik.co.za | 031 565 1093
Pinetown | pinetown@corobrik.co.za | 031 702 2282
Mobeni | southcoast@corobrik.co.za | 031 469 0105
Pietermaritzburg | maritzburg@corobrik.co.za | 033 397 0949/85/87
Glencoe | glencoe@corobrik.co.za | 034 393 1114

PLACE BUSINESS CARD HERE

PLEASE NOTE GEOLOK® IS ONLY AVAILABLE IN KWAZULU-NATAL